

alfresco
enjoy the experience



euro appliances Alfresco range - where Italian design, quality and culture come together for Australian lifestyles.

"Alfresco" food, family, friends and fun times!
That's the sentiment behind the design and creation of our euro Alfresco series products for your home.

What do we offer?

The Alfresco range provides a total outdoor solution - BBQ's, wood fired pizza ovens, rangehoods and beverage chillers.

Two year warranty.

Our Alfresco range is backed with a two year warranty. Contact us from anywhere in Australia on our toll free number 1800 440 335, for all your service needs.



Where can you find our products?

Simply call our Customer Care Centre on 1800 440 335 to locate a retailer near you.





alfresco
enjoy the experience

Contents

Freestanding BBO's 4

Built-in BBO's 6

Wood fired pizza ovens 8

Air extraction 10

Refrigeration 12

Specifications 14

Free-standing BBQ's - 120/90cm.



BBQ 6 BURNER + SIDE WOK + STAND

EA120BTSX

120CM

- 304 grade stainless steel double skin hood
- 304 grade stainless steel cooking chassis
- 6 Burner unit
- Large cooking area - 960mm wide x 415mm depth
- 304 Grade stainless steel tube burners
- Brass valves
- Ceramic infrared rear burner with flame failure device
- Rotisserie set and 10 amp plug in motor
- 2 Stainless steel cooking grills
- 1 Reversible cast iron griddle plate
- 1 Stainless steel teppanyaki style plate
- Warming rack
- 304 grade stainless steel flame tamers
- Easy removable drip tray
- Push button battery ignition
- LPG jets fitted
- BBQ cover included

SIDE WOK BURNER

- Cast iron wok burner with stainless steel lid
- Push in ignition

MATCHING TROLLEY

- 304 Grade stainless steel exterior
- 2 Drawers plus gas cylinder cabinet
- Slide out gas cylinder storage
- Mobile unit with 2 locking castors

Set of natural gas jets to be ordered separately.

- Natural gas jets kit code: NGKIT120BTSX

High quality stainless steel and built to last. These are the benchmark of quality mobile BBQ's. The mobile trolley features slide-out gas cylinder storage, plus storage for implements. Select either 6 or 4 burner plus a side burner, motorised rotisserie with a ceramic rear burner, reversible griddle, teppanyaki plate and flame tamers these BBQ's have so many features every meal will be a delight. See Built-in BBQ's on the next page for more close up images.



Hood temperature indicator



Side wok burner.



Ceramic infrared burner.



Rotisserie motor.



Storage drawers.

BBQ 4 BURNER + SIDE WOK + STAND

EA90BTSX

90cm

- 304 Grade stainless steel double skin hood
- 304 Grade stainless steel cooking chassis
- 4 Burner unit
- Large cooking area 670mm wide x 415mm depth
- 304 Grade stainless steel tube burners
- Brass valves
- Ceramic infrared rear burner with flame failure device
- Rotisserie set and 10 amp plug in motor
- 1 Stainless steel cooking grill
- 1 Reversible cast iron griddle plate
- 1 Stainless steel teppanyaki style plate
- Warming rack
- 304 grade stainless steel flame tamers
- Easy removable drip tray
- Push button battery ignition
- LPG jets fitted
- BBQ cover included

SIDE WOK BURNER

- Cast iron wok burner with stainless steel lid
- Push in ignition

MATCHING TROLLEY

- 304 grade stainless steel exterior
- 2 Door cabinet
- Slide out gas cylinder storage
- Mobile unit with 2 locking castors

Set of natural gas jets to be ordered separately

- Natural gas jets kit code: NGKIT120BTSX

Built-in BBQ's - 120/90cm.



Intro copy

6 BURNER BUILT-IN BBQ

EA120BIS

120cm

- 304 Grade stainless steel double skin hood
- 304 Grade stainless steel cooking chassis
- 6 Burner unit
- Large cooking area 960mm wide x 415mm depth
- 304 grade stainless steel tube burners
- Brass valves
- Ceramic infra-red rear burner with flame failure device
- Rotisserie set and 10 amp plug in motor
- 2 Stainless steel cooking grills
- 1 Reversible cast iron griddle plate
- 1 Stainless steel Teppanyaki style plate
- Warming rack
- 304 Grade stainless steel flame tamers
- Easy removable drip tray
- Push button battery ignition
- LPG jets fitted (standard)
- BBQ cover included

Set of natural gas jets to be ordered separately.

- Natural gas jets kit code: NGKIT120BIS

High quality stainless steel and built to last. These are the benchmark of quality built-in BBQ's. Select either 6 or 4 burners plus a motorised rotisserie with a ceramic rear burner, reversible griddle, teppanyaki plate and flame tamers these BBQ's have so many features every meal will be a delight. See Free-standing BBQ's on the previous page for more close up images.



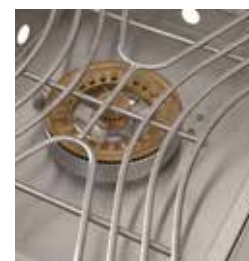
Warming rack.



Reversible griddle.



Easy to control settings.



Quality brass fittings.



Teppanyaki style plate.

4 BURNER BUILT-IN BBQ

EA90BIS

90cm

- 304 Grade stainless steel double skin hood
- 304 Grade stainless steel cooking chassis
- 4 Burner unit
- Large cooking area 670mm wide x 415mm depth
- 304 Grade stainless steel tube burners
- Brass valves
- Ceramic infra-red rear burner with flame failure device
- Rotisserie set and 10 amp plug in motor
- 1 Stainless steel cooking grill
- 1 Reversible cast iron griddle plate
- 1 Stainless steel teppanyaki style plate
- Warming rack
- 304 Grade stainless steel flame tamers
- Easy removable drip tray
- Push button battery ignition
- LPG jets fitted (standard)
- BBQ cover included

Set of natural gas jets to be ordered separately.

- Natural gas jets kit code: NGKIT120BIS

Wood Fired Pizza Ovens.

Enjoy gourmet pizzas, beef, pork lamb and roasts - try fresh baked breads. Your family and friends will love it. You can also cook cakes, scones, roast fish or chicken. Traditional design combines with high performance in euro's wood fired pizza ovens. Plus, the optional stand on our larger model means you are ready to go straight away, (wheels allow relocating the oven).

WOOD FIRED PIZZA OVEN - OPTIONAL STAND

EPZ800BS

80cm x 80cm

- Pizza capacity x 5 large size
- Temperature indicator
- Oven heat up time approx. 15 minutes
- Pizza cooking time 3 to 4 minutes (thin style)
- Black hammer tone dome + s/steel fascia
- Ventilated s/steel door with timber handle
- Oven floor dimension: 800mm wide x 800mm deep
- Food grade internal base cooking bricks
- Bench top style or matching stand installation.
(Please read installation notes below)

OPERATING INFORMATION

- Requires clean dry wood fuel for optimum results
- Maximum oven temperature 450 degrees
- Flue diameter 150mm
- Weight 150kg

INSTALLATION:

This pizza oven is suitable for outdoor and alfresco areas. Installation must be performed by a qualified competent installer. The supporting base (if not using the matching stand) must be made from non-combustible materials. Adequate clearances to combustible materials must be maintained.





Matching stand for EPZ800BS, equipped with lockable wheels sold separately, code: ETR80PZ Matching stand for EPZ60BBS, equipped with lockable wheels sold separately, code: ETR600P



Oven temperature indicator.



Food-grade, internal base cooking bricks.



Accessory set: 2 pizza spatulas + cleaning brush. EACCPZSET



Charcoal shifter. EACCCSHT



Ash shovel. EACCCASH



WOOD FIRED PIZZA OVEN
EPZ60BBS **80cm x 60cm**

- Pizza capacity x 3 large size
- Temperature indicator
- Oven heat up time approx. 15 minutes
- Pizza cooking time 3 to 4 minutes (thin style)
- Black hammer tone dome + s/steel fascia
- Ventilated s/steel door with timber handle
- Oven floor dimension 800mm wide x 600mm deep
- Food grade internal base cooking bricks
- Bench top style installation.
 (Please read installation notes below)

OPERATING INFORMATION

- Requires clean dry wood fuel for optimum results
- Maximum oven temperature 450 degrees
- Flue diameter 150mm
- Weight 135kg

INSTALLATION:

This pizza oven is suitable for outdoor and alfresco areas. Installation must be performed by a qualified competent installer. The supporting base must be made from non-combustible materials. Adequate clearances to combustible materials must be maintained.

Air Extraction.



STAINLESS STEEL ALFRESCO CANOPY

E1500BCSX

150CM

- Stainless steel AISI 304 grade finish
- 4 Speed dual aluminium motor
- 2000m³/hr motor extraction capacity
- Quad 20w halogen lighting
- Commercial style baffle filters
- 15 Minute end timer
- Soft touch button controls
- Separate light function
- Stylish contemporary Italian made & design
- 200mm flue diameter
- Equipped with 10 amp plug
- Decibel rating: 56-73dBA



The euro Air Extraction models are designed to coordinate with other euro appliances. With little or no branding they will also suit any appliances you may have.

With the number of outdoor rooms being built there is a growing need for our alfresco canopies, designed for high extraction capacity in 150cm, 120cm and 90cm widths.



STAINLESS STEEL ALFRESCO CANOPY

E1200BCSX

120CM

- Stainless steel AISI 304 grade finish
- 4 Speed dual aluminium motor
- 2000m³/hr motor extraction capacity
- Quad 20w halogen lighting
- Commercial style baffle filters
- 15 Minute end timer
- Soft touch button controls
- Separate light function
- Stylish contemporary Italian made & design
- 200mm flue diameter
- Equipped with 10 amp plug
- Decibel rating: 56-73dBA



STAINLESS STEEL ALFRESCO CANOPY

EBB900SS

90CM

- Stainless steel AISI 304 grade finish
- Electronic button front controls
- 3 Speed aluminium alloy motor
- Separate light function
- 2 x 0.5W LED lights
- 1000m³/hr extraction capacity
- 3 Piece baffle filters
- 150mm air flow outlet
- Equipped with 10 amp plug
- Decibel rating: 53-66dBA

Alfresco Refrigeration.

euro appliances has a large range of refrigeration products that suit Alfresco areas, but we have found the most popular are the beverage coolers. Built with the same heavy grade stainless steel as the bbq's and canopies to coordinate perfectly.

0° - 10°C ELECTRONIC TEMPERATURE CONTROL

Allows you to chill your beverages to your preference. Perfect for your alfresco area, but please check recommendations on the technical sheet.

TRIPLE GLAZED DOORS

Triple glazing provides high insulation and energy efficiency while still allowing selection prior to opening the door.

RECIRCULATING INTERNAL FAN

An internal fan is designed to distribute coolness to keep the drinks at an even temperature.





DOUBLE DOOR BEVERAGE COOLER

EA900WFSX

208 LITRE

DRINKS CAPACITY:

Approx 204 standard 375ml cans

- 304 Grade stainless steel exterior
- Mirror polished stainless steel interior
- 0° – 10° degrees electronic temperature control
- Separate internal light
- Triple glazed doors
- 4 Chrome adjustable shelves
- Quiet compressor with front airflow system
- Recirculating internal fan
- Key lockable doors
- Adjustable levelling feet
- Suitable for beverages only
- R600a refrigerant ozone friendly

DIMENSIONS:

900mm width x 840mm height x 500mm depth
(Door handle extra 45mm depth)



SINGLE DOOR BEVERAGE COOLER

EA60WFSX

138 LITRE

DRINKS CAPACITY:

Approx 119 standard 375ml cans

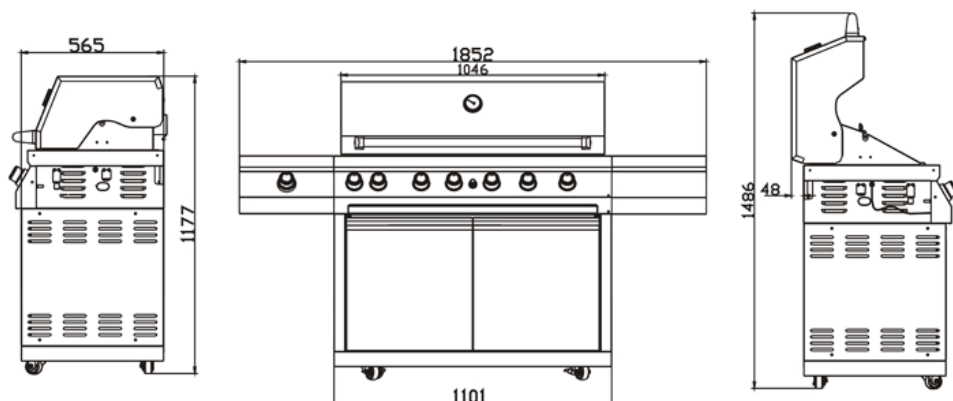
- 304 Grade stainless steel exterior
- Mirror polished stainless steel interior
- 0° – 10° degrees electronic temperature control
- Separate internal light
- Triple glazed doors
- Double chrome adjustable shelves
- Quiet compressor with front airflow system
- Recirculating internal fan
- Key lockable doors
- Adjustable levelling feet
- Suitable for beverages only
- R600a refrigerant ozone friendly

DIMENSIONS:

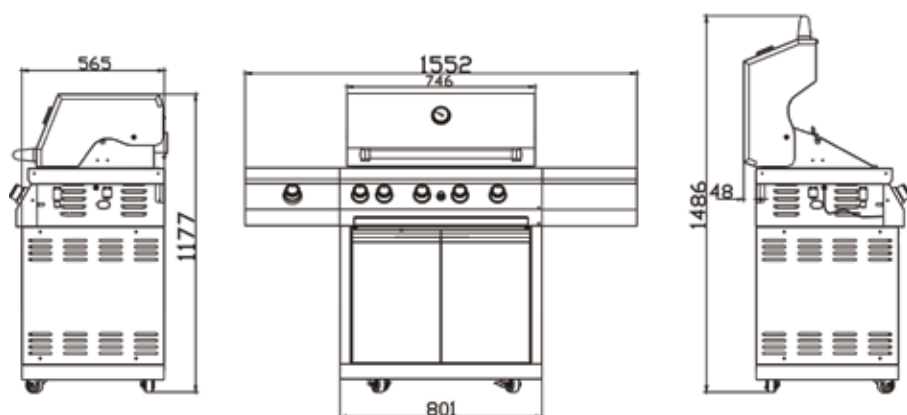
600mm width x 840mm height x 500mm depth
(Door handle extra 45mm depth)

Specifications.

FREESTANDING BBQ'S

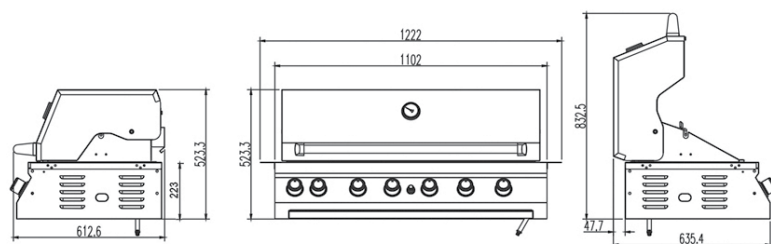


EA120BTSX
120cm width freestanding BBQ.

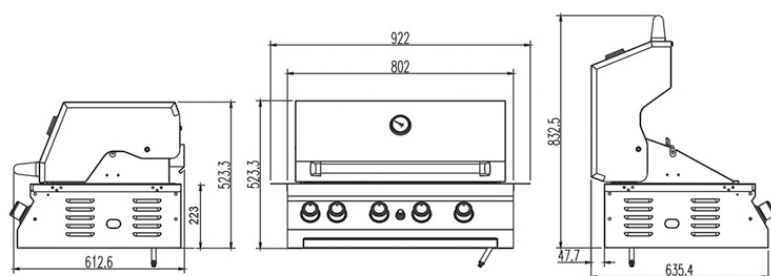


EA90BTSX
90cm width freestanding BBQ.

BUILT-IN BBQ'S



EA120BIS
120cm width built-in BBQ.

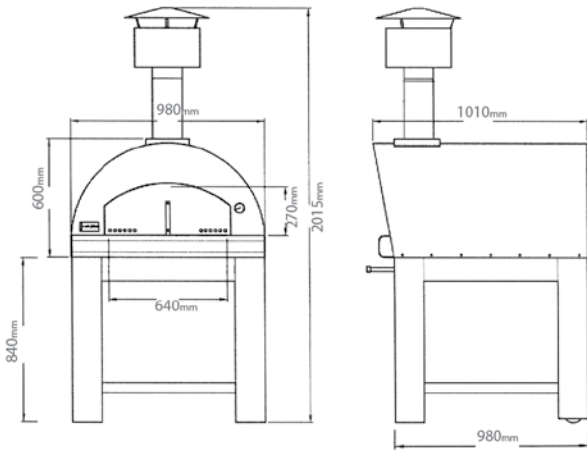


EA90BIS
90cm width built-in BBQ.

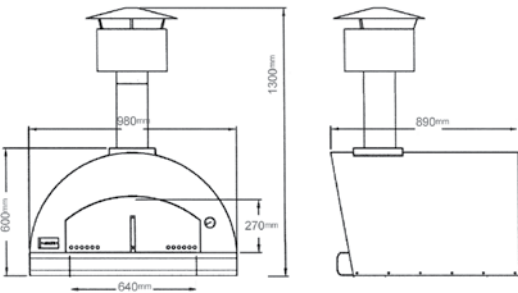
Guide dimensions, please refer to installation and services product booklet.
For large dimension images please refer to our website:

Disclaimer:
Please note that measurements and model appearances may change at any time. euro appliances reserve the right to change specifications without notice.

WOOD FIRED PIZZA OVENS

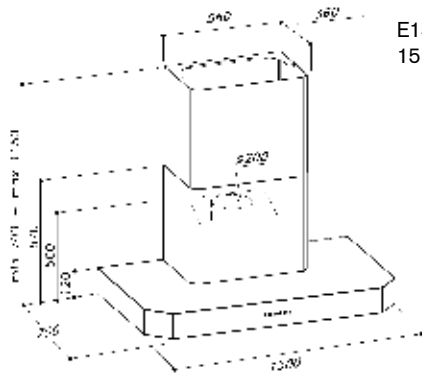


EPZ800BBS
80cm x 80cm wood fired pizza oven.
Shown with optional stand, ETR80PZ.

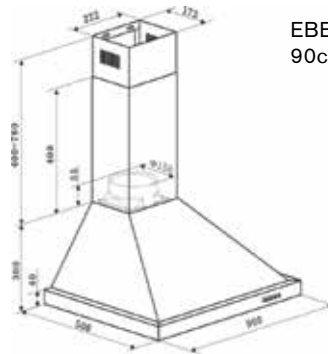


EPZ60BBS
80cm x 80cm wood fired pizza oven.
Optional stand not shown, ETR600P.

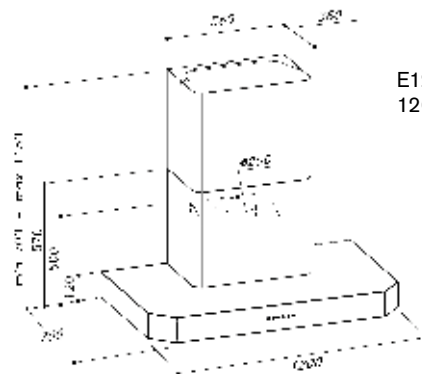
AIR EXTRACTION



E1500BCSX
150cm width canopy.



EBB900SS
90cm width canopy.



E1200BCSX
120cm width canopy.

alfresco

enjoy the experience

The euro Alfresco Series uses the latest designs together with the craftsmanship you would expect, all to provide you with an enjoyable outdoor entertaining experience.

Two year warranty.

Our Alfresco Series is backed with a two year warranty. Contact us from anywhere in Australia on our toll free number 1800 440 335, for all your service needs.

Where can you find our products?

Simply call our Customer Care Centre on 1800 440 335 to locate a retailer near you.



For further information or store locations please contact Customer Care: 1800 440 335.

admin@eurostylegroup.com.au
Head Office (08) 8165 1012
www.eurostylegroup.com.au
Follow us on Facebook at: euroappliances



June 2015

